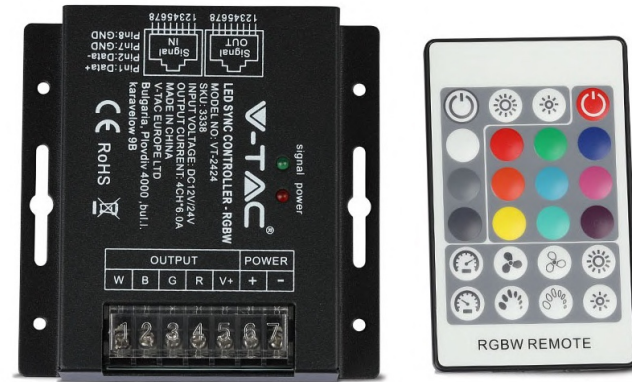


WEEE Number: 80133970

INSTALLATION INSTRUCTION

LED SYNC CONTROLLER



2 YEARS WARRANTY

TECHNICAL DATA:

Model	VT-2424
Output	4 Channels
Output Current	<6.0A (Each Channel)
Output Power	12V:288W, 24V:576W
Supply Voltage	DC: 12V-24V

INTRODUCTION & WARRANTY

Thank you for selecting and buying V-TAC product. V-TAC will serve you the best. Please read these instructions carefully before starting the installation and keep this manual handy for future reference. If you have any another query, please contact our dealer or local vendor from whom you have purchased the product. They are trained and ready to serve you at the best. The warranty is valid for 2 years from the date of purchase. The warranty does not apply to damage caused by incorrect installation or abnormal wear and tear. The company gives no warranty against damage to any surface due to incorrect removal and installation of the product. The products are suitable for 10-12 Hours Daily operation. Usage of product for 24 Hours a day would void the warranty. This product is warranted for manufacturing defects only.

WARNING

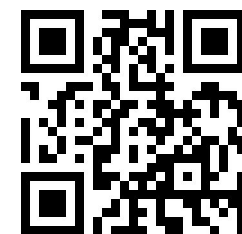
1. Please make sure to turn off the power before starting the installation.
2. Installation must be performed by a certified person.



This marking indicates that this product should not be disposed of with other household wastes.



Caution, risk of electric shock.



MULTI-LANGUAGE MANUAL QR CODE

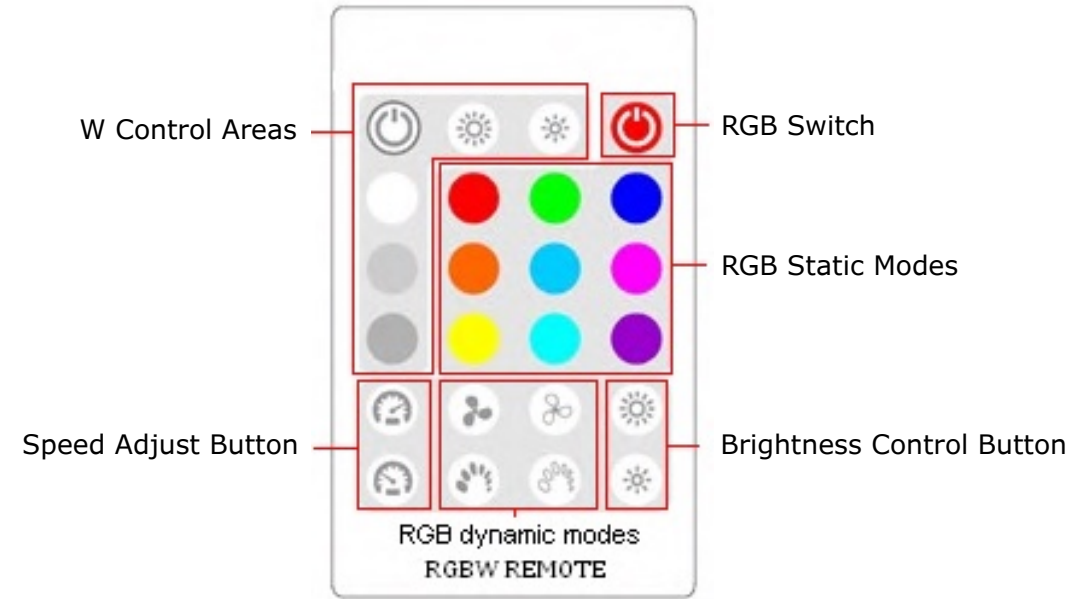
Please scan the QR code to access the manual in multiple languages.

PRODUCT DESCRIPTION

Led RGBW Controller adopts the most advanced PWM (Pulse Width Modulation) digital technology with 4 channels constant voltage led RGBW controller. This model designed for RGBW/Y led products. Adopts RF 24 key remote, RGB and W each have independently control area without interference. Especially, it is designed with synchronization function. It is convenient to use RJ45 connector to connect the multiple controllers together, and achieve the synchronization function of thousands of meters led strips. In theory, they can be connected numerous

DIRECTION OF USE

Adopt RF wireless 24-key remote control, function of each button as below:

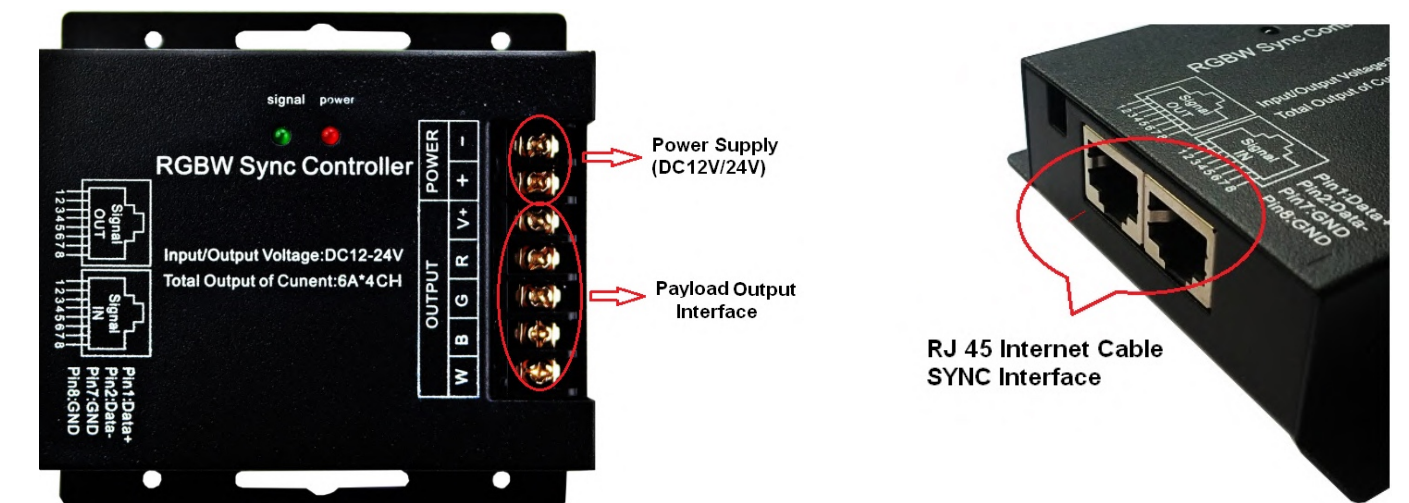
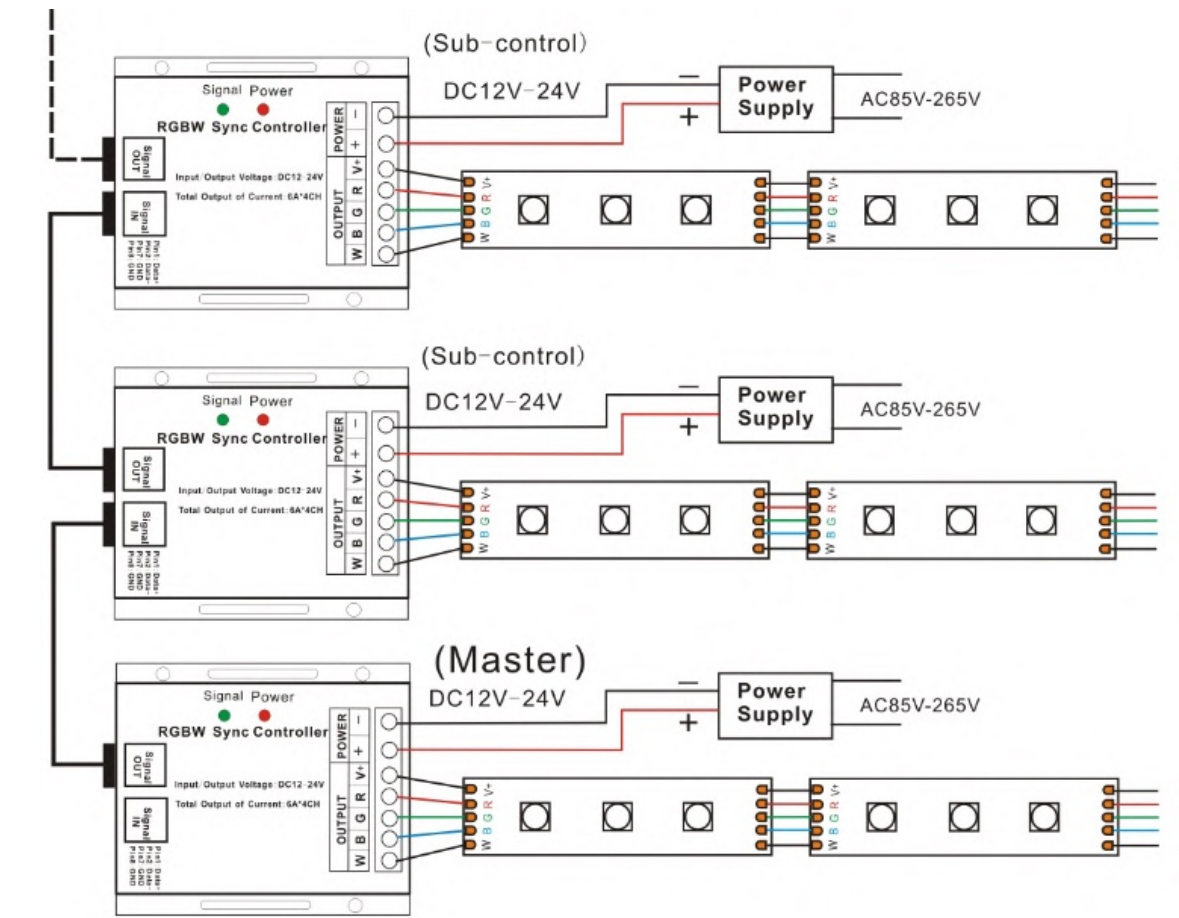


W on/off	W brightness +	W brightness -	RGB on/off
W 100%	Static red	Static green	Static blue
W 50%	Static orange	Static sky blue	Static carmine
W 25%	Static yellow	Static cyan	Static purple
Speed +	Three colors jump	Three colors gradually change	brightness +
Speed -	Seven colors jumping change	Seven colors gradually change	brightness -

If new-coded-remote is needed, re-pairing the remote and the receiver before using as below operation instruction:

1. Step 1: Pressing key "Seven colors gradually change" and hold on, power on the controller, the load LEDs will be 50% brightness white as responding.
 2. Step 2: Continuously to press the key "Seven colors gradually change " for 3 times with in 5 seconds after step 1 ,the brightness of LEDs will change from 50% -10% as responding.
 3. Code learning successfully, the LEDs will be back to the state before the power off, and the receiver can control by the remote.
- If not, please re-operate from step 1 to 2.

TYPICAL APPLICATIONS



IN CASE OF ANY QUERY/ISSUE WITH THE PRODUCT, PLEASE REACH OUT TO US AT: SUPPORT@V-TAC.EU FOR MORE PRODUCTS RANGE, INQUIRY PLEASE CONTACT OUR DISTRIBUTOR OR NEAREST DEALERS. V-TAC EUROPE LTD. BULGARIA, PLOVDIV 4000, BUL.L.KARAVELOW 9B