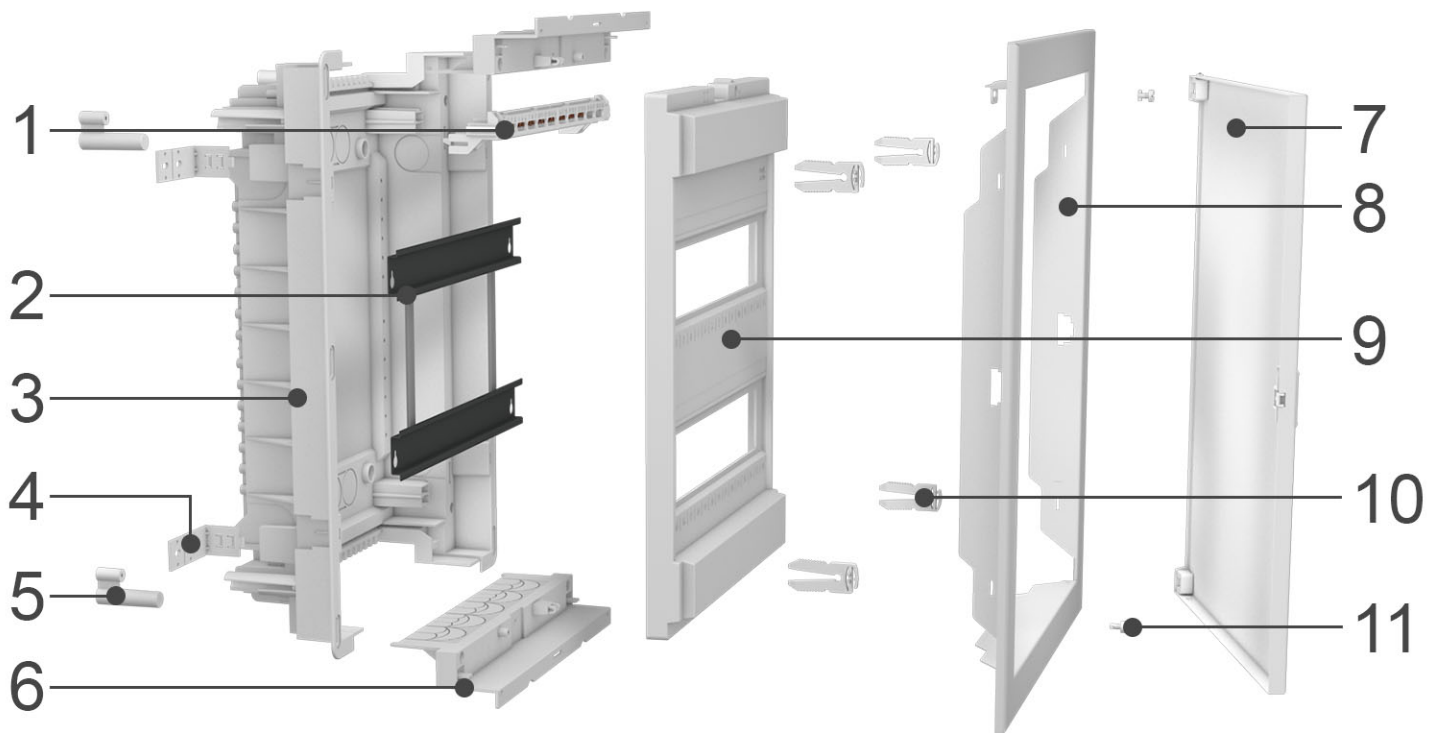


Enclosures IP40

flush mounting

Flush mounting enclosures series E and series F are intended for indoor application with the possibility of installation on hollow walls (KNAUF). The base is the same for both series and depends on the usage, it can be produced as STANDARD (glow wire test up to 650 degrees) for installation on standard brick walls, and as PREMIUM (glow wire test up to 850 degrees) for installation on hollow walls. Series E has a metal frame and metal door with 5 different models from 1 up to 5 rows. Series F has a plastic frame and plastic door which can be transparent or white with 3 different models from 1 up to 3 rows.



- 1 Isolated terminal
- 2 Connected DIN rails
- 3 Base
- 4 Standard (brick) wall instalation
- 5 Hollow wall (KNAUF) instalation
- 6 Removable part
- 7 Door
- 8 Frame
- 9 Front mask
- 10 Plastic connector between frame and base
- 11 Plastic screw for mounting between front mask and base

Base Material : ABS , color : RAL 9003
 Glow wire test: 650°C / 850°C
 Door material E series: METAL, color : white
 Door material F series: PC, color: transparent or white
 Terminal holder: self-extinguishing material
 Glow wire test: 960°C
 Temperature: -25°C / +60°C
 Nominal voltage: AC 400V
 According to standard: IEC 60670, IEC 62208
 Halogen free: YES

Series E / F advantages

Compact and practice design reduces time and cost of installation, providing more space for cables and also easy changing the position of the door opening, on the left or the right side



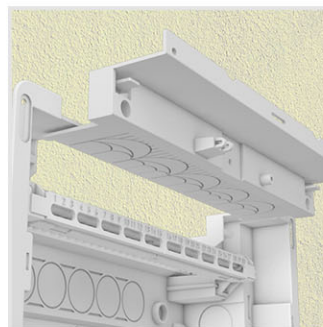
STANDARD base (glow wire test up to 650 degrees) for installation on standard brick walls .



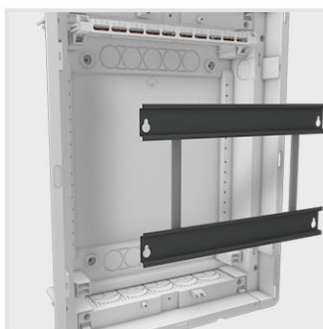
PREMIUM base (glow wire test up to 850 degrees) for installation on hollow walls.



Enough space for 12+2 modules per row



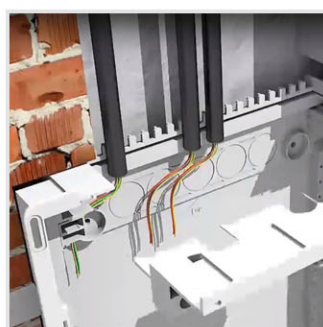
Easily removing of the upper and lower part contributes more space for cables.



With connected DIN rails manipulating and installing equipment is considerably simplified.



The connection between frame and the base with plastic connectors, without using screws, provides adjustable connection up to the needs.



Possibility of connection of the cables with cable ties.



Simple installation of the base on the wall with already marked lines that reflect necessary dimensions for the cutting.

Enclosures series **E**



U 12 E

Type:	Dimension:	Number of modules:	No. of PE/N terminals:	Pde [W]
IP 40  In 63A	317 x 346 x 92	12 + 2	2 x 10	31



U 24 E

Type:	Dimension:	Number of modules:	No. of PE/N terminals:	Pde [W]
IP 40  In 63A	442x 346x 92	24 + 4	2 x 13	40



U 36 E

Type:	Dimension:	Number of modules:	No. of PE/N terminals:	Pde [W]
IP 40  In 63A	592 x 346 x 92	36 + 6	2 x 15	50



U 48 E

Type:	Dimension:	Number of modules:	No. of PE/N terminals:	Pde [W]
IP 40  In 63A	717 x 346 x 92	48 + 8	2 x 20	60



U 60 E

Type:	Dimension:	Number of modules:	No. of PE/N terminals:	Pde [W]
IP 40  In 63A	842 x 346 x 92	60 + 10	2 x 30	70

Accessories



Cover for empty space, PP

**standard accessories*



ISOLATED TERMINAL STANDARD, IS30

**standard accessories*



ISOLATED TERMINAL DOUBLE, IS60

**additional accessories*



ISOLATED TERMINAL, AUSTRALIAN STANDARD, IS30 AU

**additional accessories*



ISOLATED SCREWLESS TERMINAL, IS 3/14 PE/N

**additional accessories*



LOCK WITH KEY, LOCK E/F

**additional accessories*



CONNECTION BRACKET - HORIZONTAL, CB-H

**additional accessories*



CONNECTION BRACKET - VERTICAL, CB-V

**additional accessories*