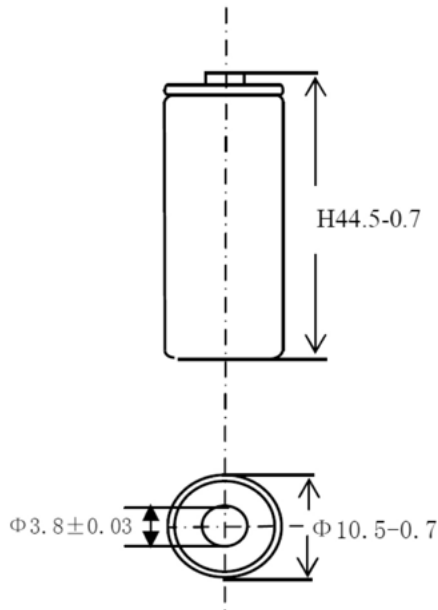


## 'Pro Alkaline' High Performance Battery LR03 AAA



<b>Designation IEC:</b>	LR03
<b>Nominal voltage:</b>	1.5 V
<b>Designed capacity:</b>	1250 mAh (discharge with high resistance)
<b>Shelf life:</b>	10 years
<b>Weight:</b>	11 g
<b>Dimensions (max):</b>	44.5 x 10.5 mm
<b>Temperature ranges:</b>	long-term storage: -10..35°C application/discharge: -20..50°C
<b>Approved standards:</b>	GB/T 8897.2-2013, GB 8897.5-2013, GB8897.5:IEC 60086-1:2011, IEC 60086-2:2011, IEC 60086-3:2011, IEC 60086-5:2011

### Typical service output (new battery, at 20°C):

Load	Conditions	End Voltage	Time
75Ω	4 h/d	0.9V	76 h
10Ω	24 h/d	0.8V	9 h 20 min.
3.9Ω	24 h/d	0.8V	2 h 40 min.
5.1Ω	1 h/d	0.8V	4 h 45 min.