

# ETITEC EM T12 PV 1100/6,25 Y



## Specifications

ETI Code	002440580
Description	ETITEC EM T12 PV 1100/6,25 Y
Class name	Surge arrester
Function	SPD
Type	T1, T2
Iimp(10/350) Impulse Current (kA)	6,25
Max. Discharge current I <sub>max</sub> , 8/20 (kA)	40
U <sub>c</sub> Continuous Operating Voltage (V)	1100
Remote signalisation	NO
I <sub>n</sub> 8/20 (kA)	20
Number of modules	3
Up - Voltage Protection Level (kV)	3,8
Leakage Current	YES
Applied Technology	MOV
Built-in depth (mm)	86
Iimp - Total Impulse Current (10/350) (kA)	65

[Online product page](#)

## Other documentation



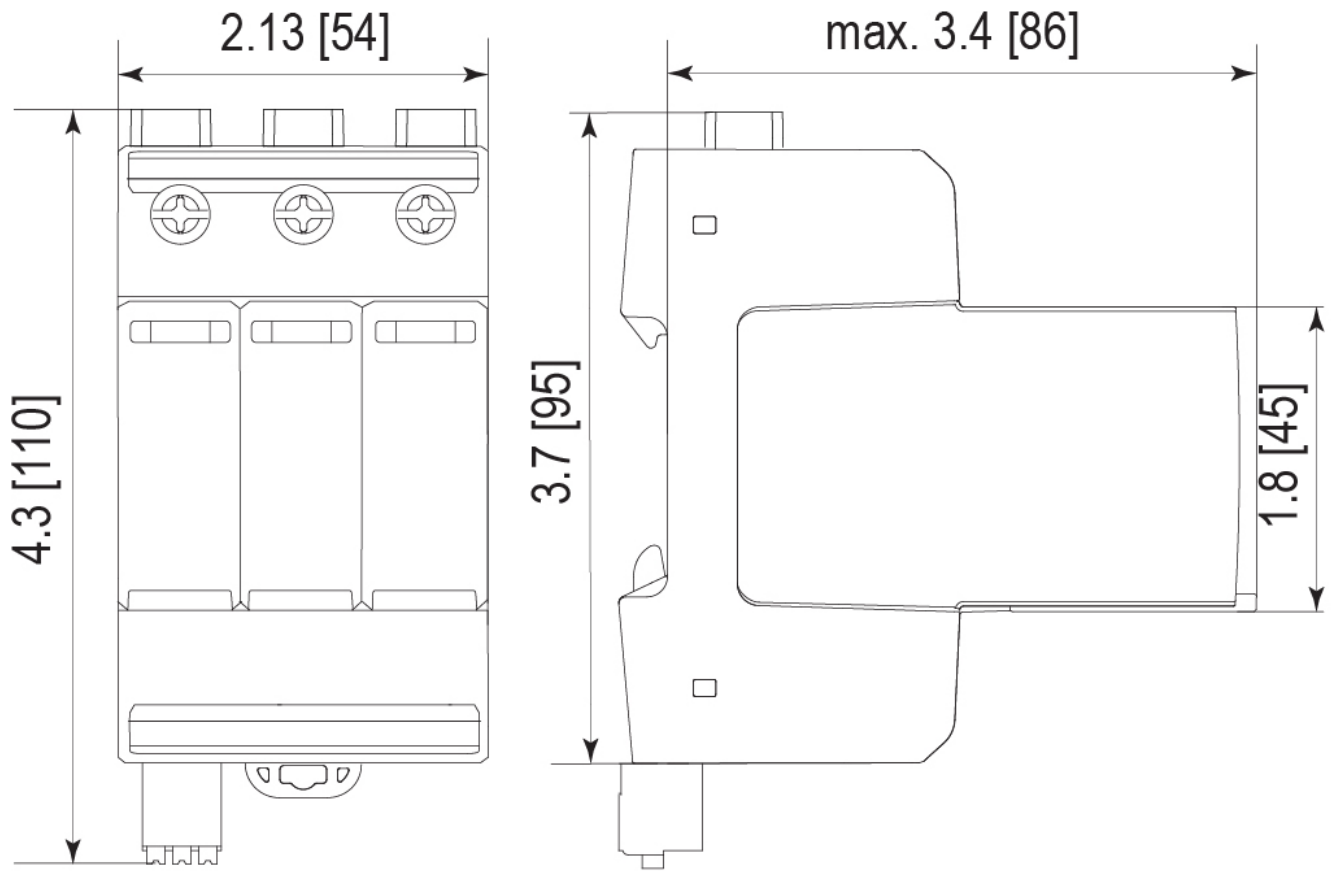
[Technical data catalogue](#)  
[3D Model](#)  
[CE declaration](#)  
[Eplan file](#)



## ETIM international clasification

Classification	EC001457
Class name	Combined arrester for power supply systems
Lightning impulse current (10/350)	6.25kA
Max. conductor cross section flexible (fine-strand)	25mm <sup>2</sup>
Max. conductor cross section solid (solid, stranded)	35mm <sup>2</sup>
Max. continuous voltage DC	1100V
Mounting method	DIN rail (top hat rail) 35 mm
Nominal discharge surge current (8/20)	20
Number of poles	3
Test class	Type 1 + 2
Voltage protection level	3.8kV

## Dimension drawing



# Symbol/Connection

